

# ANT-1212N

## AIR PATCH Antenna

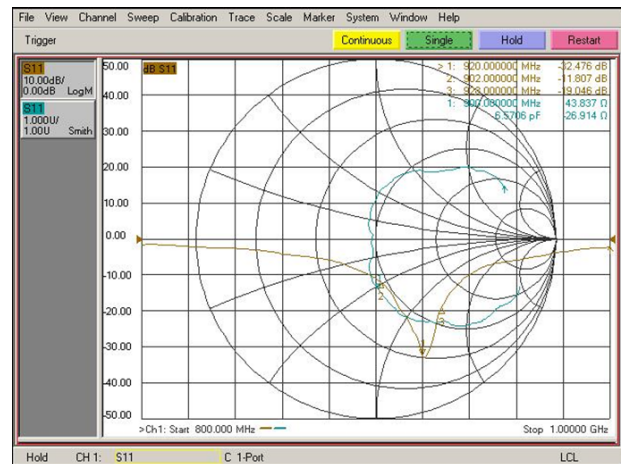


ANT-1212N은 규격 120 X 120 mm 사이즈에 우수한 성능을 가진 RFID 안테나입니다.

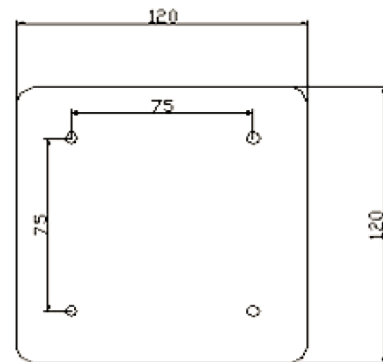
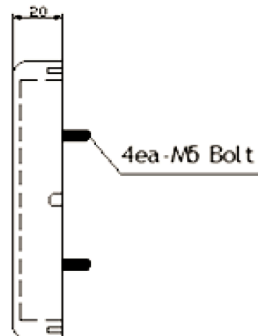
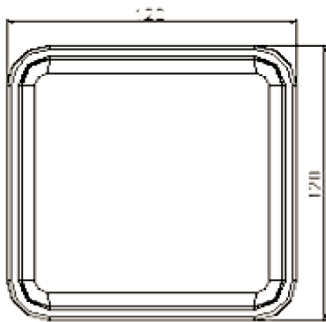
### Antenna Spec

<b>Center Frequency</b>	920 MHz
<b>Polarization</b>	Circular Type
<b>Dimension</b>	120 x 120 mm
<b>Gain</b>	-10.68 dBi Max
<b>Beam Width</b>	98 Deg.
<b>Input Impedance</b>	50 Ohms
<b>VSWR</b>	1.5 : 1 Ratio
<b>Connector Type</b>	SMA-Female

### S-Paramater DATA(R/L)



### Dimension



# Antenna Gain data Sheet

Source Antenna Polarization	Gain				
	914.0 MHz	916.0 MHz	918.0 MHz	919.0 MHz	920.0 MHz
<b>H-pol. (dBiL)</b>	<b>-10.81</b>	<b>-10.76</b>	<b>-10.73</b>	<b>-10.75</b>	<b>-10.68</b>

Freq.[GHz]	θ-Pol(H)					φ-Pol(V)					PwrSum				
	Avg.[dBi]	Peak[dBi]	θ[deg]	Null[dBi]	θ[deg]	Avg.[dBi]	Peak[dBi]	θ[deg]	Null[dBi]	θ[deg]	Avg.[dBi]	Peak[dBi]	θ[deg]	Null[dBi]	θ[deg]
0.914	-17.09	-12.86	-18.00	-26.85	157.00	-20.27	-14.75	-5.00	-44.95	126.00	-15.39	-10.81	-12.00	-24.62	125.00
0.916	-17.08	-12.78	-19.00	-26.90	157.00	-20.29	-14.83	-3.00	-46.51	-116.00	-15.38	-10.76	-13.00	-24.65	125.00
0.918	-17.10	-12.71	-15.00	-26.52	157.00	-20.33	-14.88	0.00	-45.38	-117.00	-15.41	-10.73	-15.00	-24.65	125.00
0.919	-17.09	-12.66	-18.00	-26.54	157.00	-20.34	-14.87	0.00	-44.32	106.00	-15.41	-10.75	-15.00	-24.82	125.00
0.920	-17.06	-12.63	-19.00	-26.43	158.00	-20.33	-14.85	-6.00	-44.87	125.00	-15.38	-10.68	-15.00	-24.64	125.00
0.922	-16.94	-12.48	-20.00	-26.04	158.00	-20.26	-14.78	-3.00	-45.46	106.00	-15.28	-10.55	-16.00	-24.63	125.00
0.924	-16.82	-12.31	-16.00	-25.74	157.00	-20.19	-14.71	-1.00	-48.79	106.00	-15.18	-10.43	-13.00	-24.46	125.00
0.926	-16.79	-12.20	-19.00	-25.53	158.00	-20.23	-14.77	-3.00	-49.31	107.00	-15.17	-10.36	-16.00	-24.41	126.00
0.928	-16.86	-12.23	-19.00	-25.00	157.00	-20.35	-14.93	-5.00	-51.58	107.00	-15.25	-10.41	-12.00	-24.50	126.00

